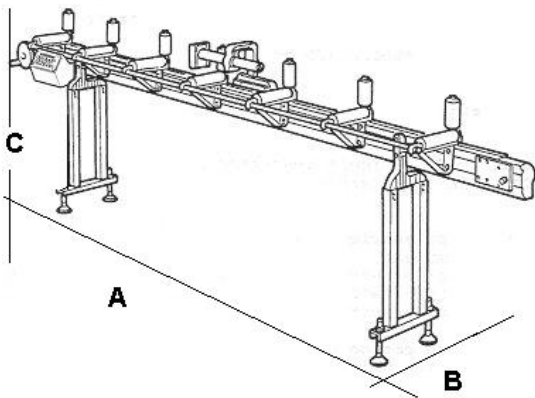


## ASSOMAK VS



Roller table with manual length stop positioning by handwheel and electronic display of measurement.



	A(mm)	B(mm)	C(mm)	Kg
<b>m 3</b>	3.540	310	1.170	58
<b>m 4,2</b>	4.740	310	1.170	81
<b>m 6</b>	6.540	310	1.170	118

**Technical characteristics:**

- Minimum cut 0 mm
- Measurement reading by encoder
- Positioning precision  $\pm 0.5$  mm
- Loading capacity per linear metre: 3 Kg
- Width of bar resting surface: 200 mm
- Patented length stop with sliding surface under the work table, to give constant reference under all working conditions

**SIMPLE**

- Industrial type numerical control
- Easy to read back-lit alphanumerical display
- Bar height save function with compensation for 45° cuts
- Possibility of quick profile height correction due to extrusion and/or paint thickness tolerances
- Length display
- Calculator function

**STANDARD ACCESSORIES:**

Description	Code
Pneumatic stop locking	PR 22134
Loading capacity: Kg. 3 per meter	
Belt-driven positioning	
Carton packing	

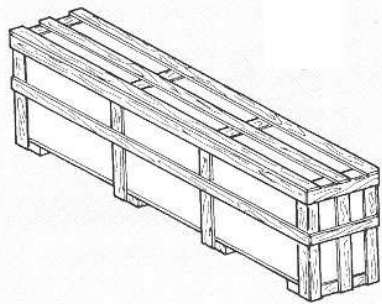
**OPTIONALS:**

Description	Code
Additional roller for roller tables	PR-22166

## PACKING

Description	Code
Crate packing – Mt. 3	FC-74419
Crate packing – Mt. 4.2	FC-76821
Crate packing – Mt. 4.2	FC-78063
Crate packing – Mt. 6	FC-74422

Crate packing overall dimensions:



	A (mm)	B (mm)	C (mm)	Kg
<b>m. 3</b>	3.640	290	440	75
<b>m. 4,2</b>	4.860	290	440	102
<b>m. 4,2</b>	4.850	700	800	
<b>m. 6</b>	6.640	290	440	176