

## CALCO TER



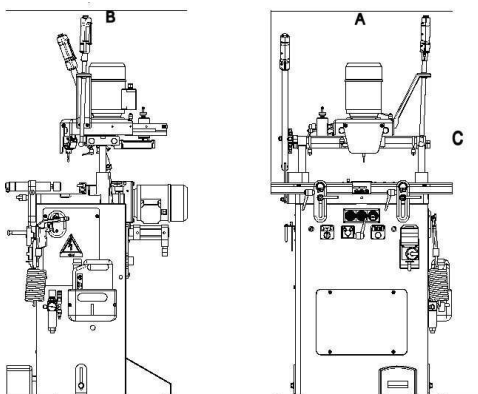
Electro pneumatic copy router with 3 spindle drilling unit.

The structure is realized by four principal monoblocs: bed in steel and heads units in cast iron and electrowelded steel. This solution is essential in view of the stress occurring during use.

Standard version in color RAL 7016.

The machine is manufactured in accordance with CE regulation.

Overall dimensions:

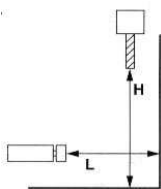


A (mm)	B (mm)	C (mm)	Kg
800	800	1673	145

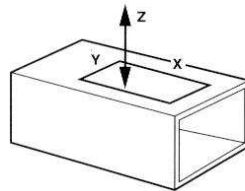
### Basic specifications copy router:

- Spindle slides cemented and round guide-ways with movement along recirculating ball bearings
- Axis translation by indirect levers
- Horizontal vices (no. 2)
- Pneumatic tracer with double diameter selector  $\varnothing 5$  e  $\varnothing 8$  mm
- Possibility of machining with copying jigs or mechanical stops
- Milling tool shank clamping size: from 5 to 8 mm (with pliers change)
- Safety valves on the vices (more security for the operator)
- Double working pressure (more security for the operator)
- Quick spindle stop for tool changing
- Tool lubrication by atomizer
- Three-phase motor 1,1 kW(1,5 HP) - 3000 rpm eurovoltage 230/400V - 50 Hz; 275/480V - 60 Hz
- Spindle speed 12.000 rpm
- Air filter
- Working pressure: 7 bar
- Air consumption per work cycle 3 NI

### Working capacity:



H =  $\varnothing 8$  mm = 106 mm - max  
 $\varnothing 5$  mm = 133 mm - max  
 L = 150 mm - max

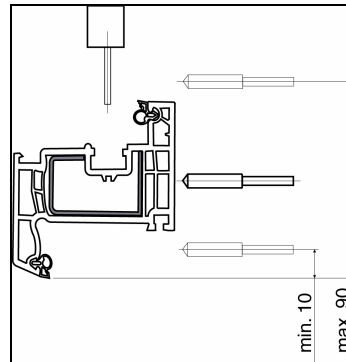
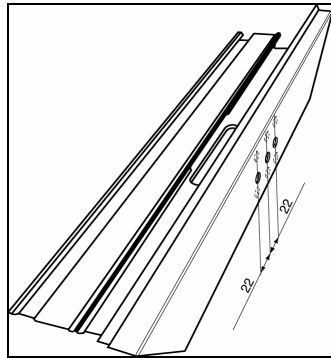


X=280 mm  
 Y=105mm  
 Z=108 mm

### Specifications of the 3 spindle drilling unit:

- Drilling bit centre distance 22 mm
- 10 mm Ø tang
- Maximum simultaneous working - milling capacity on the 3 spindle drilling unit Ø 14mm
- Oleopneumatic advance of 3 spindle drilling unit
- Height adjustment capacity of 3 spindle drilling unit: 5,5 ÷ 90 mm
- Three-phase motor 1,1 kW (1,5 HP) – 1.500 rpm eurovoltage 230/400V - 50 Hz
- Rotation bit speed: 900 rpm

### Working capacity of the drilling unit:



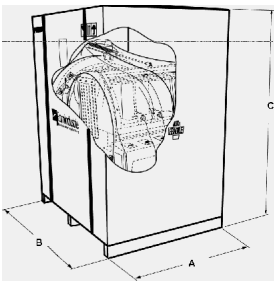
**STANDARD ACCESSORIES:**

n°	Descrizione	Codice
1	Milling bit: 8 mm. Ø cutting edge, 8 mm. Ø tang	HZ 302946
1	Milling bit: 5 mm. Ø cutting edge, 8 mm. Ø tang	HQ 30533
1	Collet for milling bit: 8 mm. Ø tang	DR 71791
1	Ring nut for milling bit locking	DR 71796
3	Milling bit: 12 mm. Ø cutting edge, 10 mm. Ø tang	HZ303767
1	Template	MU 31594
1	Template	MU 31595
1	Compressed air gun with spiral hose (for machine cleaning)	
	Packing with heat-shrink plastic bag	

**OPTIONALS:**

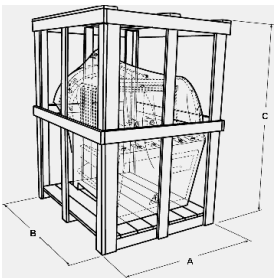
Descrizione	Codice
Kit cooling system by emulsified oil and air	PR 25042
Additional complete tracer point (it allows to copy over 2 template; it's to be inserted on the right side of the copy router)	PR 24431
Vice jaw extension 805 mm (RH or LH side)	PR 24241
Roller table with vice jaw 1800 mm (right or left side)	PR 22559
Additional receding stop	PR 24240
Kit for rod-type stop	PR 25354
Additional charge for special voltage and cycle (Standard motor 230/400V three-phase 50Hz)	ZG 79250
Additional charge for single-phase motor (Standard motor 230 single phase 50HZ)	ZG 79127
Additional charge for plant version UL-CSA (The additional charge includes motors with special voltage/measurements unit in inches)	ZG 79158
Milling bit: ø 12 mm	HZ 303767
Collets for milling bits (see collets catalogue)	DR 71791
Pallet+carton packing	FF 71775
Crate packing	FC 71308

Packing with heat-shrink plastic bag:



A (mm)	B (mm)	C (mm)	Kg
1070	850	1700	155

Crate packing:



A (mm)	B (mm)	C (mm)	Kg
900	700	1600	190