

## MATISSE



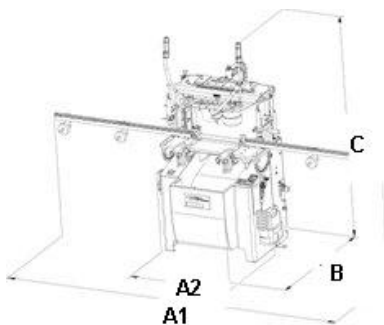
Electro-pneumatic copy router with rotary-translation.

The structure is realized by three principal monoblocs: bed in steel and heads units in cast iron.

This solution is essential in view of the stress occurring during use.

The machine is manufactured in accordance with CE regulation.

Overall dimensions:

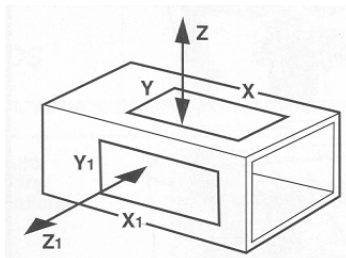
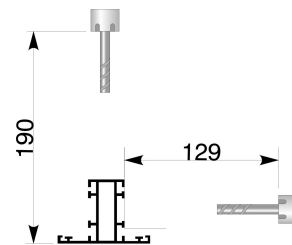
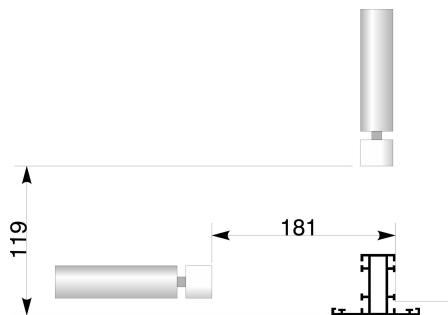


A1(mm)	A2 (mm)	B (mm)	C (mm)	Kg
2875	800	890	1710	195

### Basic specifications:

- Spindle with dual rotation speed (6.000/11.800 rpm)
- Vertical and horizontal vices with safety valves
- Manual rotation and pneumatic clamping of profile being machined
- Axis translation by indirect levers
- Possibility of working at angles
- The system allows the profile rotation without losing the machine positioning
- Double copying template and double pneumatic tracer
- Double copying template located on the superior side of the machine in an ergonomic position and easily visible to the operator
- Possibility of machining with copying jigs or mechanical stops
- Highly rigid head unit due to four cemented and round guide-ways with movement along recirculating ball bearings
- Working lubrication by atomiser
- Milling tool shank clamping size: from 5 to 10 mm (with pliers change)
- Quick spindle stop for tool changing
- Working pressure: 7 bar
- Three phase motor 0,55/0,37 kW (0,75 /0,5 HP) – 2846/1410 rpm. 230/400V– 50Hz; 275/480V – 60 Hz.
- Air consumption per work cycle 2,5 NI
- Chip bin

### Working capacity



**X = 330mm**  
**Y = 125mm**  
**Z = 125mm**

**X1 = 330 mm**  
**Y1 = 125 mm**  
**Z1 = 125 mm**

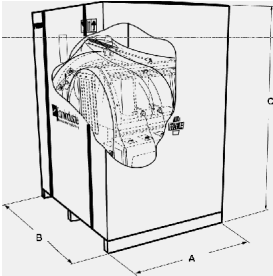
**STANDARD ACCESSORIES:**

n°	Description	Code
1	Milling bit: 10 mm. Ø cutting edge, 10 mm. Ø tang	HZ 302740
1	Milling bit: 5 mm. Ø cutting edge, 8 mm. Ø tang	HZ 30533
1	Collet for milling bit: 10 mm. Ø tang	DR 75077
1	Collet for milling bit: 8 mm. Ø tang	DR 75088
1	Ring nut for milling bit locking	DR 75078
2	Template	MU 303297 MU 303299
1	Vice jaw extension 1200 mm (RH or LH side)	
6	Receding length stop	PR 24240
1	Compressed air gun with spiral hose (for machine cleaning)	
	Packing with heat-shrink plastic bag	

**OPTIONALS:**

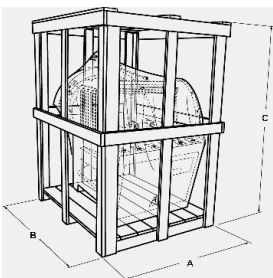
Description	Code
Kit cooling system by emulsified oil and air	PR 25042
Additional receding stop	PR 24240
Additional magnetic receding stop	QN 26548
Additional charge for special voltage and cycle (Standard motor 230/400V three-phase 50Hz)	ZG 79126
Additional charge for plant version UL-CSA (The additional charge includes motors with special voltage/measurements unit in inches)	ZG 79158
Collets for milling bits (see collets catalogue)	
Milling bit (see bits catalogue)	
Pallet+carton packing	FF 71775
Crate packing	FC 302957

Packing with heat-shrink plastic bag:



A (mm)	B (mm)	C (mm)	Kg
1070	850	1640	210

Crate packing:



A (mm)	B (mm)	C (mm)	Kg
1070	850	1700	240