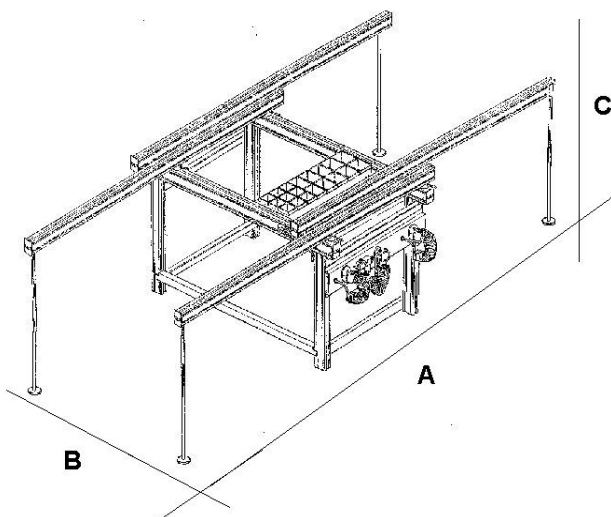


TABLE



Assembly bench with adjustable bars.



A(mm)	B(mm)	C(mm)	Kg
2.500	2.000	900	70

Technical characteristics:

- The rounded surface of the gaskets on which the frame rests reduces to the minimum the risk of damaging the profiles being cut
- All bars of the work table can be extended, moved sideways and tilted.

STANDARD ACCESSORIES:

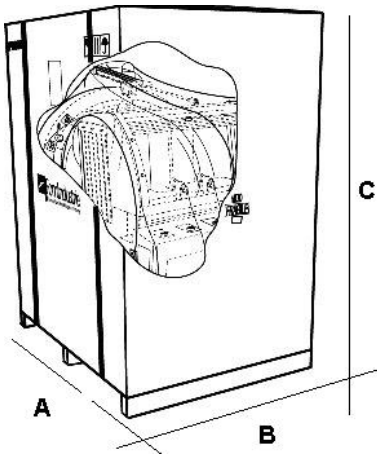
Description
Max support Kg 180

OPTIONALS:

Description	Code
Box for screws	PR-22952
Support for tools	PR-24374

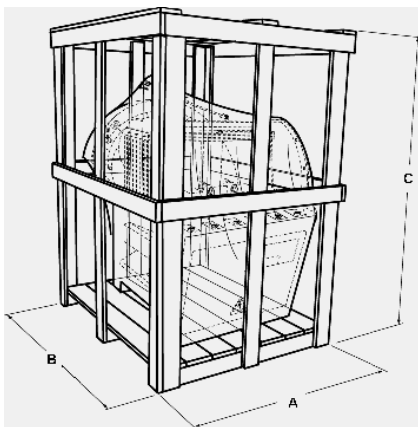
PACKING

Carton pallet packing with heat-shrink plastic bag:



A (mm)	B (mm)	C (mm)	Kg
In aggiornamento	In aggiornamento	In aggiornamento	In aggiornamento

Crate packing overall dimensions:



A (mm)	B (mm)	C (mm)	Kg
In aggiornamento	In aggiornamento	In aggiornamento	In aggiornamento