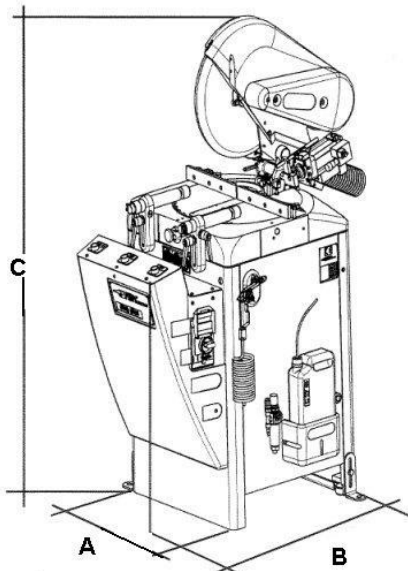


SIKA PLUS



Overall dimensions:

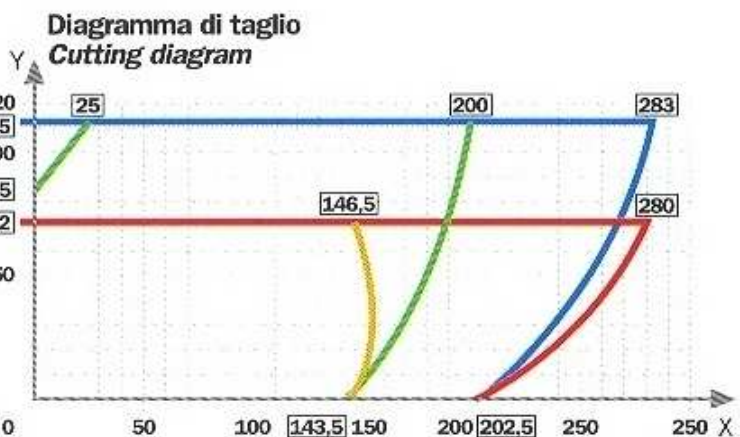
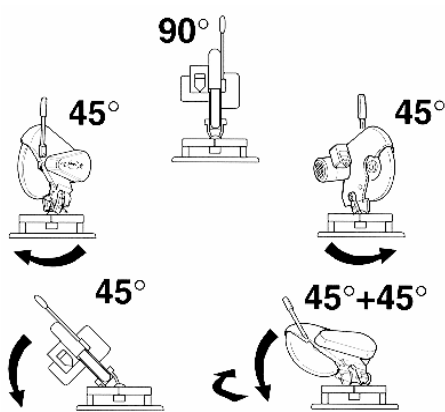


	A (mm)	B (mm)	C (mm)	Kg
Oil-pneumatic blade feed	732	1131	1565	170
Manual blade feed	732	925	1745	170

Technical characteristics:

- Working pressure: 7 bar
- Machine and turntable structure in stabilized cast iron
- Oleopneumatic saw blade advance (adjustable blade exit speed – quick return – quick approach to profile), or manual depending on version
- Cutting angle: rotation from 45° Rh to 45° Lh, angle from 45° Lh to 90°
- Intermediate angles with mechanical stop
- Integral blade guard in rest position
- Pneumatic vices with safety servovalves
- Double working pressure servocontrolled in low pressure
- Motor – tungsten carbide saw blade transmission by belt
- Pneumatic plant in high and low pressure
- Blade motor, three-phase 3 HP (2.208 Kw) – 2850 rpm. eurovoltage 230/400V– 50Hz; 275/480V – 60 Hz.
- Saw blade holding spindle \varnothing 32
- Spray mist blade lubrication system
- Prearranged for installation of chip or smoke collectors

CUTTING DIAGRAM



90° head
(continuous line)

Head turned 45° L
and/or 45° R:
(dash line)

Head tilted 45° L:
(line point line)

Head turned 45° R
(line-2 point line)

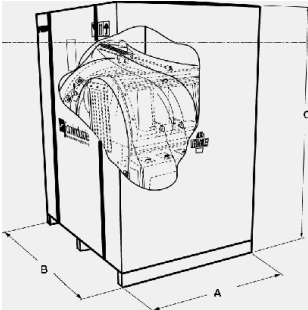
STANDARD ACCESSORIES:

n°	Description
1	∅ 400mm tungsten carbide saw blade
1	Blade safety guard
2	Horizontal vices
	Spray mist blade lubrication system
	Prearranged for installation of chip or smoke collectors

OPTIONALS:

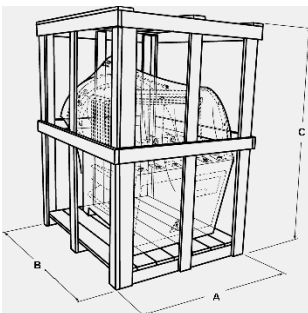
n°	Description	Code
1	Set of camping supports (profile type to be specified)	
1	Vertical vice	PR-21952
1	Micro drop cutting lubrication using pure oil	PR-25210
1	Discharge roller table with length stop: manual, displayed, controlled	
1	3 Mt. cutting length	PR-24201
1	4,2 Mt. cutting length	PR-25170
1	6 Mt. cutting length	PR-25213
	Loading roller table with vertical roller	
1	3 Mt. cutting length	PR-22077
1	4,2 Mt. cutting length	PR-25169
1	Additional roller for roller tables	PR-22166
	Additional charge for special voltage and cycle (Standard motor 230/400V three-phase 50 HZ)	ZG-79126
	Additional charge for single-phase motor (Standard motor 230 single-phase 50 HZ)	ZG-79127
	Additional charge for plant version UL-CSA (the additional charge includes the plant with cables and special components)	ZG-79158

Carton pallet packing with heat-shrink plastic bag:



	A (mm)	B (mm)	C (mm)	Kg
XZ-10568	1070	850	1640	185
XZ-10567	1155	1000	1480	183

Crate packing overall dimensions:



	A (mm)	B (mm)	C (mm)	Kg
XZ-10568	1100	800	1520	227
XZ-10567	1100	920	1650	230