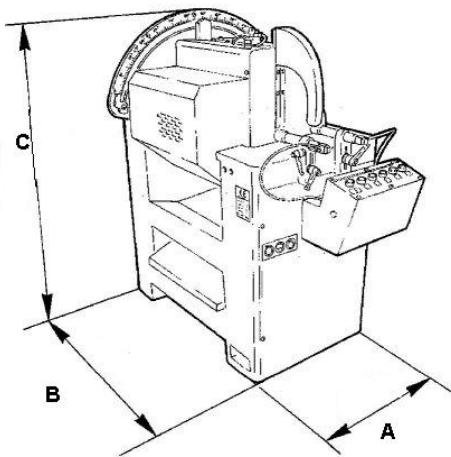


## SPRING ECHO

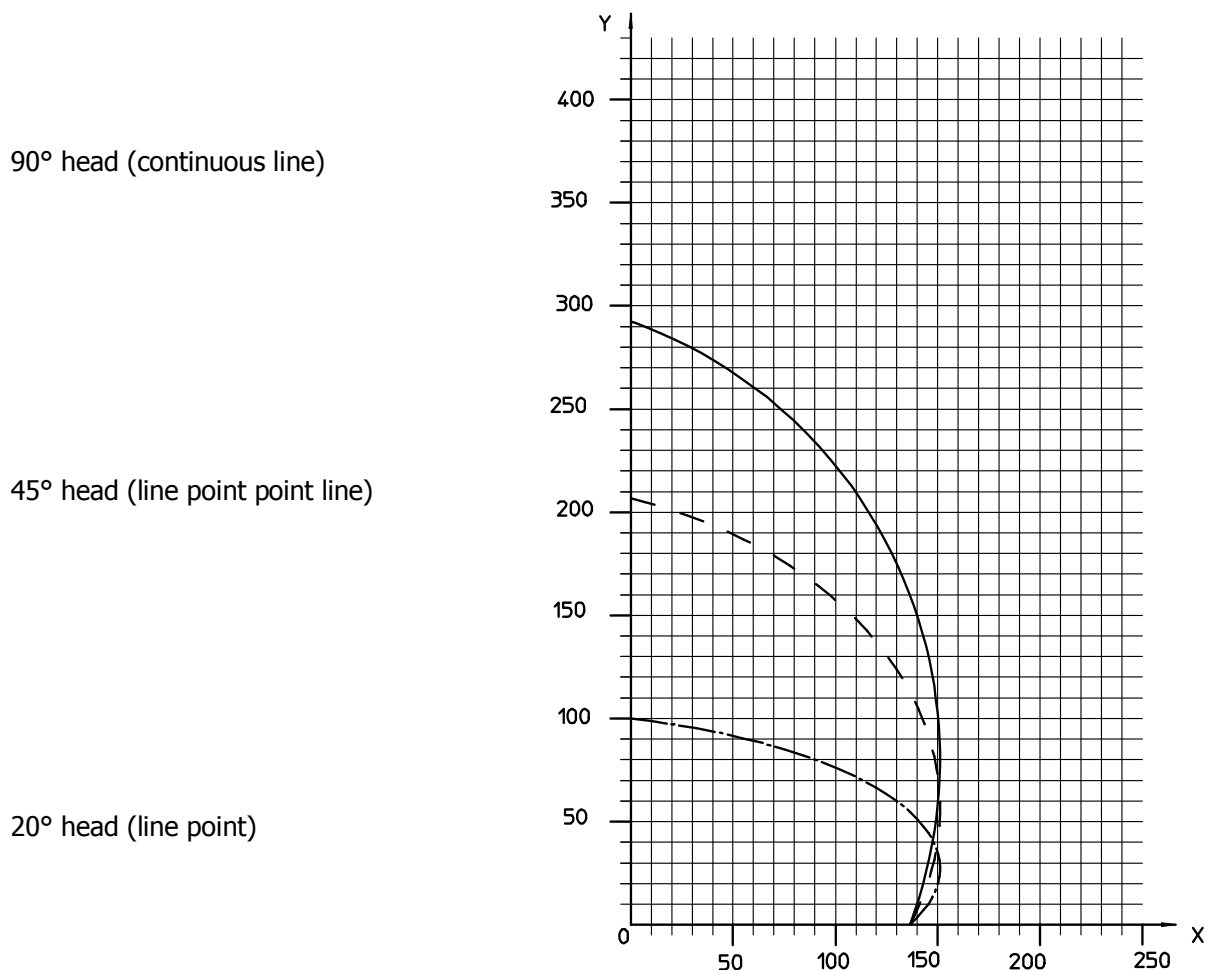


A (mm)	B (mm)	C (mm)	Kg
900	1300	1380	370

### Technical characteristics:

- Oleopneumatic saw blade advance (adjustable blade exit speed – quick return)
- Cutting angle from 20°Lh to 20°Rh on horizontal axis
- Head inclination with support on the fixing brackets
- Intermediate degrees with mechanical fixing bracket of easy positioning and maximum precision thanks to the nonius of big dimensions
- N° 2 horizontal vices
- Direct motor – tungsten carbide saw blade transmission
- Working pressure: 7 bar
- Overall dimensions mm 900 x 1300 x 1380h, weight Kg. 400
- Saw blade motor, three phase 3 HP (2.21 Kw) – 2800 rpm. eurovoltage 230/400V– 50Hz; 275/480V – 60 Hz
- Saw blade holding spindle  $\varnothing$  32
- Work cycle air consumption 1.2 NI
- Spray mist blade lubrication system.
- Prearranged for installation of chip or smoke collectors

### CUTTING DIAGRAM



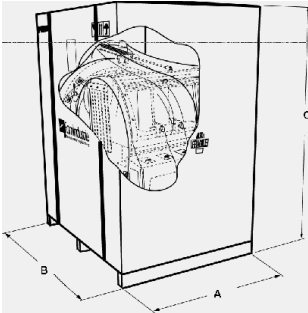
## STANDARD ACCESSORIES:

n°	Description
1	Ø 450 mm tungsten carbide saw blade
	Blade safety guard
	Horizontal vices
	Compressed air gun with spiral hose (for machine cleaning)
	Packing with heat-shrink plastic bag

## OPTIONALS:

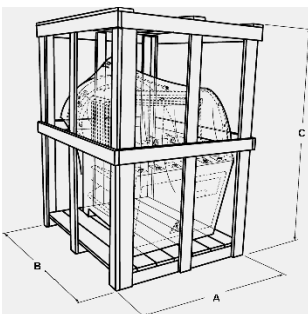
n°	Description	Code
1	Set of camping supports (profile type to be specified)	On estimate
1	Kit cooling system by emulsified oil and air	PR 25396
1	Blade safety guard with pneumatic feed (to replace manual feed)	PR 23929
	ASSOMAK Discharge roller table with length stop: manual, displayed, controlled (carton packing included)	See roller tables
1	3 Mt. cutting length	PR 24201
1	4,2 Mt. cutting length	PR 25170
1	6 Mt. cutting length	PR 25213
	Loading roller table with vertical roller	See roller tables
1	3 Mt. cutting length	PR 22077
1	4,2 Mt. cutting length	PR 25169
1	Additional roller for roller table	PR 22166
	Additional charge for special voltage and cycle (Standard motor 230/400V three-phase 50 HZ)	ZG-79126
	Additional charge for single-phase motor (Standard motor 230 single-phase 50 HZ)	ZG-79127
	Additional charge for plant version UL-CSA (the additional charge includes the plant with cables and special components)	ZG-79158
	Carton pallet packing	FF 75008
	Crate packing	FC 75581

Carton pallet packing with heat-shrink plastic bag:



A (mm)	B (mm)	C (mm)	Kg
1130		1800	420

Crate packing overall dimensions:



A (mm)	B (mm)	C (mm)	Kg